



INDUSTRIAL DESIGN

XUCHEN LIU

**PORTFOLIO
2023**

Xuchen

Liu



About Me

Hi, my name is Xuchen, you can also call me Hank. I come from Shenyang, China. I love industrial design. Through three years of studying at CCA, I first mastered basic design skills, and now I'm becoming proficient in using various design software and model-making tools.

I think design is diverse, open, and free. There is no good or bad design, as long as it is useful and people like it, it has value. But I also believe that design is principle-driven and should focus on people without harming our environment. Therefore, I hope to help more people, improve our environment, and make our world more beautiful through our designs.

Contact

+1 510-708-2167
hankliu2001315@gmail.com
instagram.com/xu.dsgn

Education

California College of the Arts 2025

Language

English
Chinese

Experience

Lianchuang Insurance Company Sales

- Understand customer's needs
- Customer communication

Private Sneaker Seller

- Understand the marketing and prevailing trends
- Manage international logistics
- Merchandise management

One Year Working in Zimbabwe Shop

- Stock management
- Understand the need of different part of the world

Skills

Rhino
Solidwork
Procreate
Model Making
Laser Cutting
Adobe Photoshop
Adobe Illustrator
Adobe Indesign
Concept Development
CMF Development
Design Research

01.



NIAO
Watering can



02.

SOMFY
Boom Microphone

03.



GIVENCHY
Soap

04.



Skills
Dawing/CAD

NIAO

Nature Inspired Watering Can



USER RESEARCH



Water succulents through gaps

Hard to control water flow



Some water remain on the succulent

Inaccuracy



Remove remaining water droplets

Unnecessary work

Research

Exploration

Final

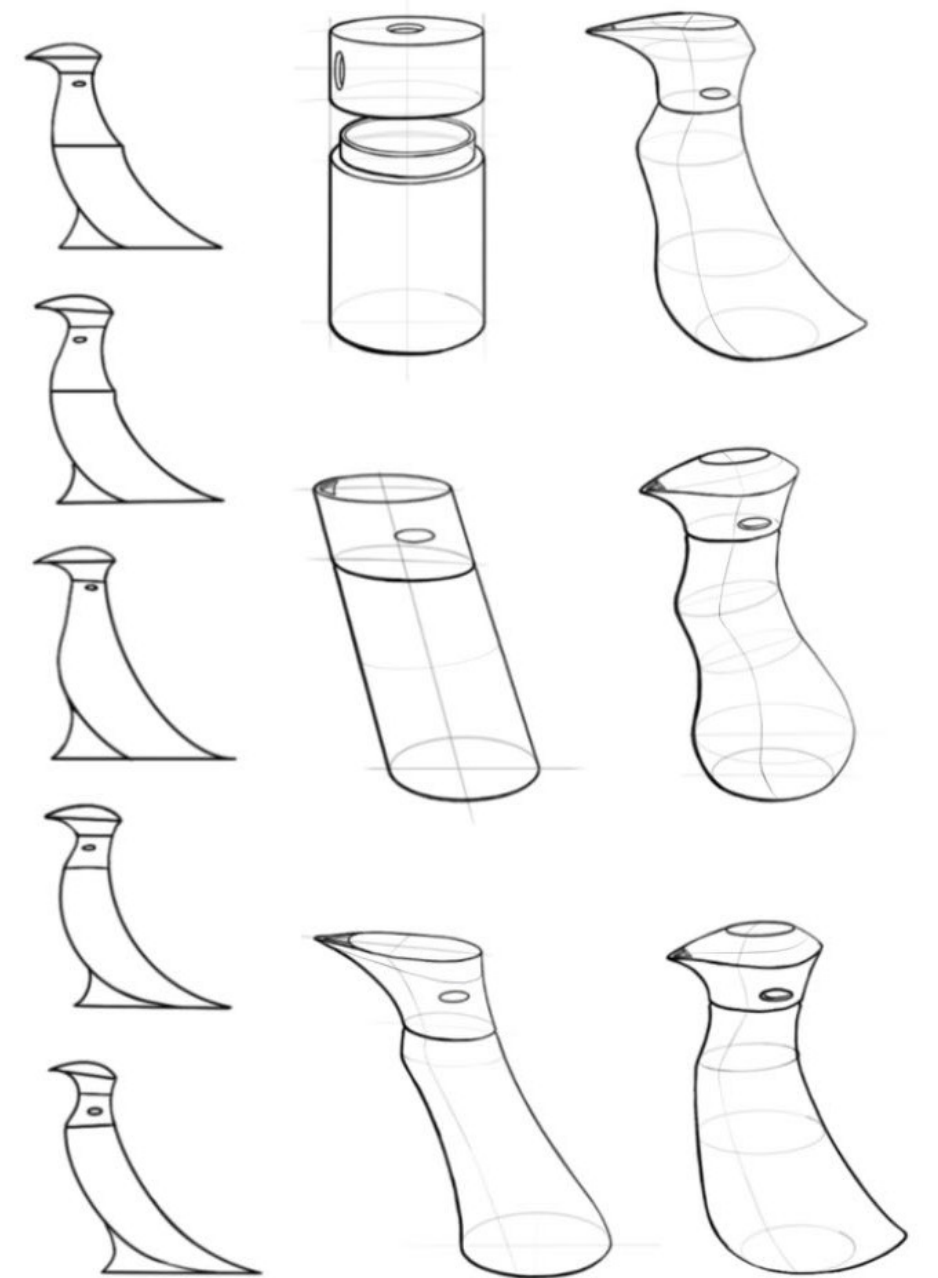
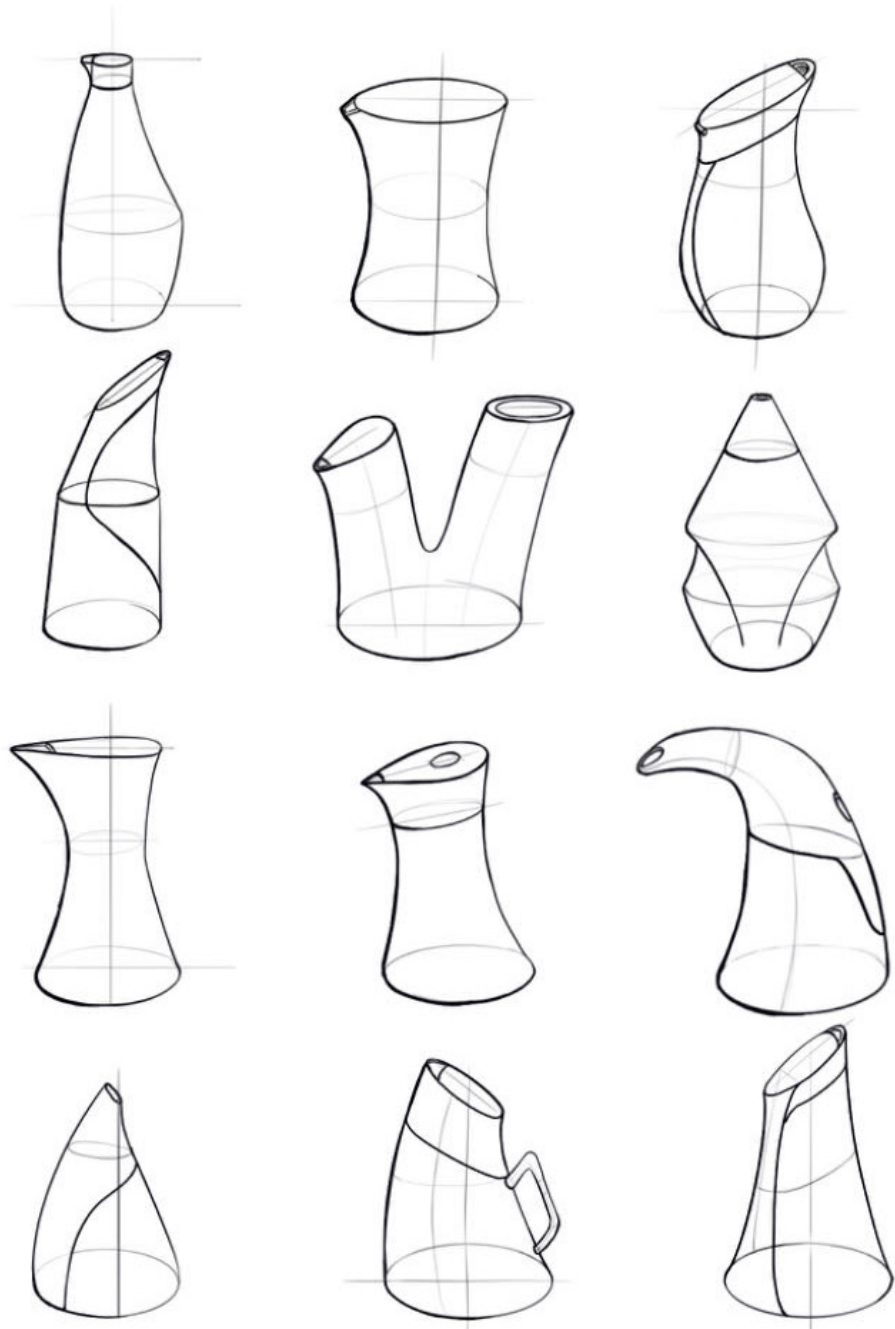


INSPIRATION

How to Water Plants More Accurately?

Hummingbirds use their slender beaks to suck nectar from flowers. If the watering can also has a slender spout, can it also water the flowers through the gap?

IDEATION

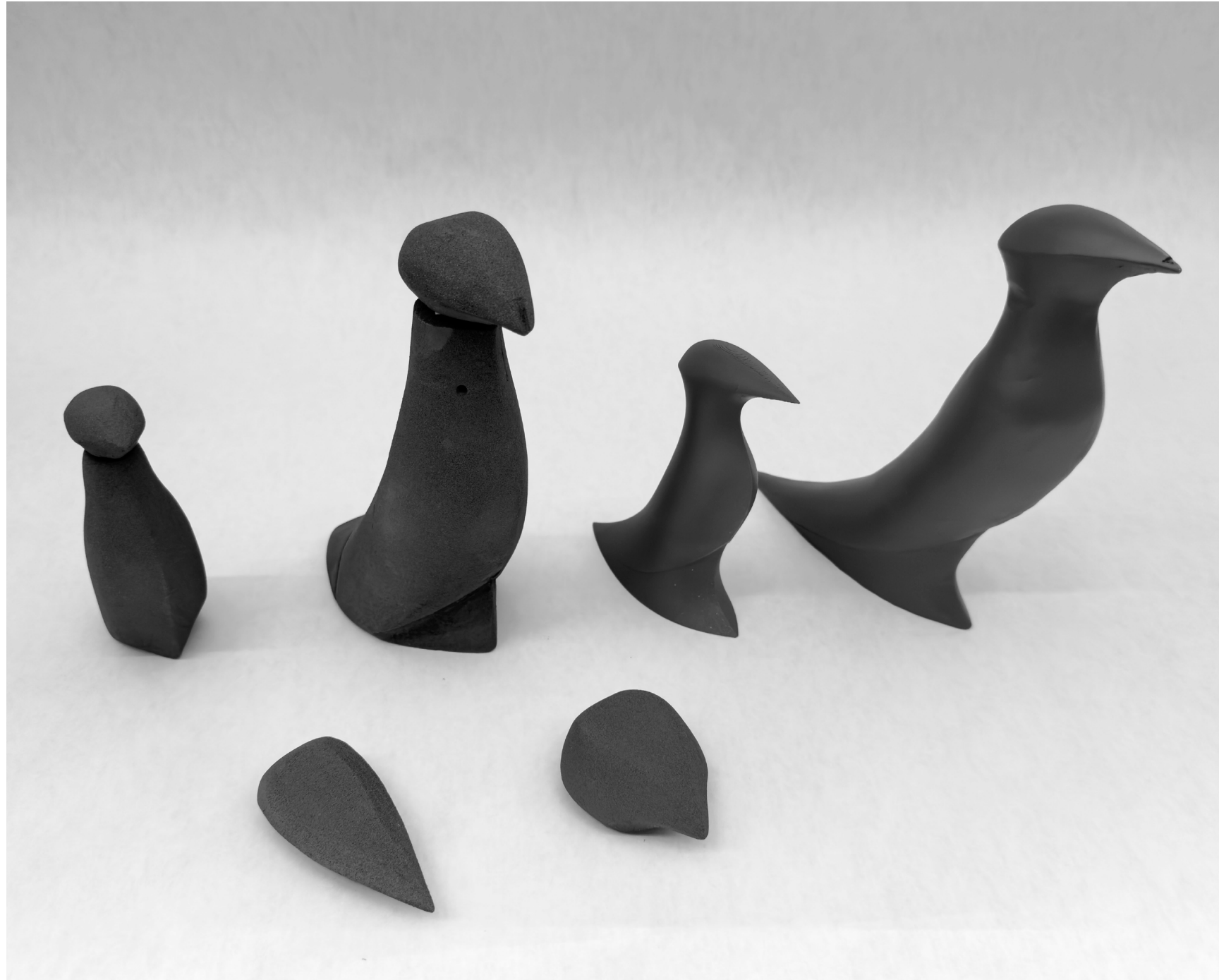


Research

Exploration

Final

SKETCH MODELS



Testing Ergonomic and Silhouette of the Watering Can

Research

Exploration

Final

STRUCTURE



Research

Exploration

Final

IN USE



Research

Exploration

Final



SOMIFY

All-in-one Comfortable and Convenient Boom Microphone

PERSONA



Jerry Huang
Boom Operator

*“Cables and wires **hamper my mobility.**”*



James Baker
Boom Operator

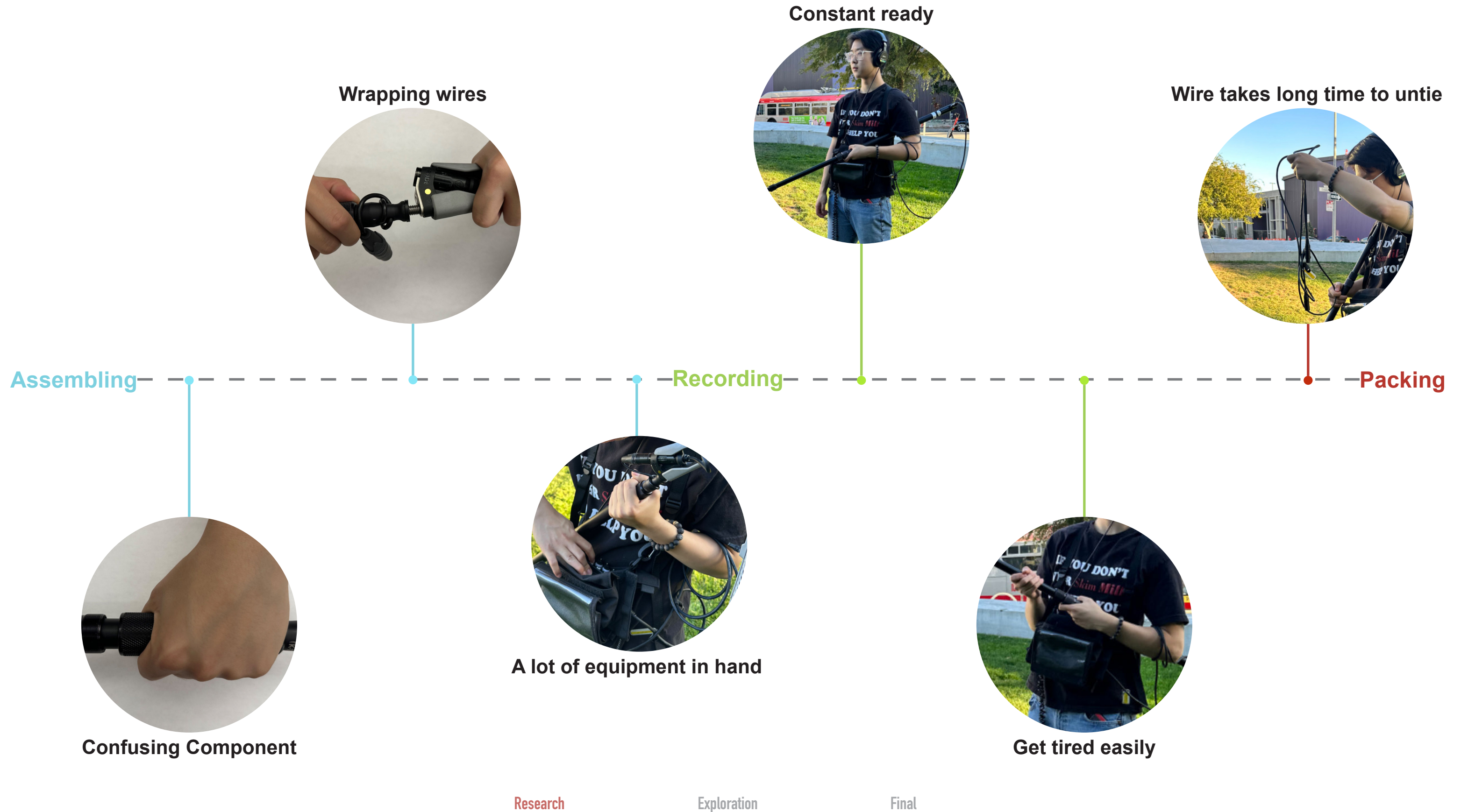
*“Boom operating can be **physically demanding**, especially when you're working on challenging sets with tight spaces or multiple takes.”*



Frank Smith
Sound and Video Editor

*“When the wire hits the boom pole, it makes a noise. If this happens, then we need to **post-edit** the noise or **re-record** it. It adds more unnecessary work.”*

USER RESEARCH



USAGE POSTURE

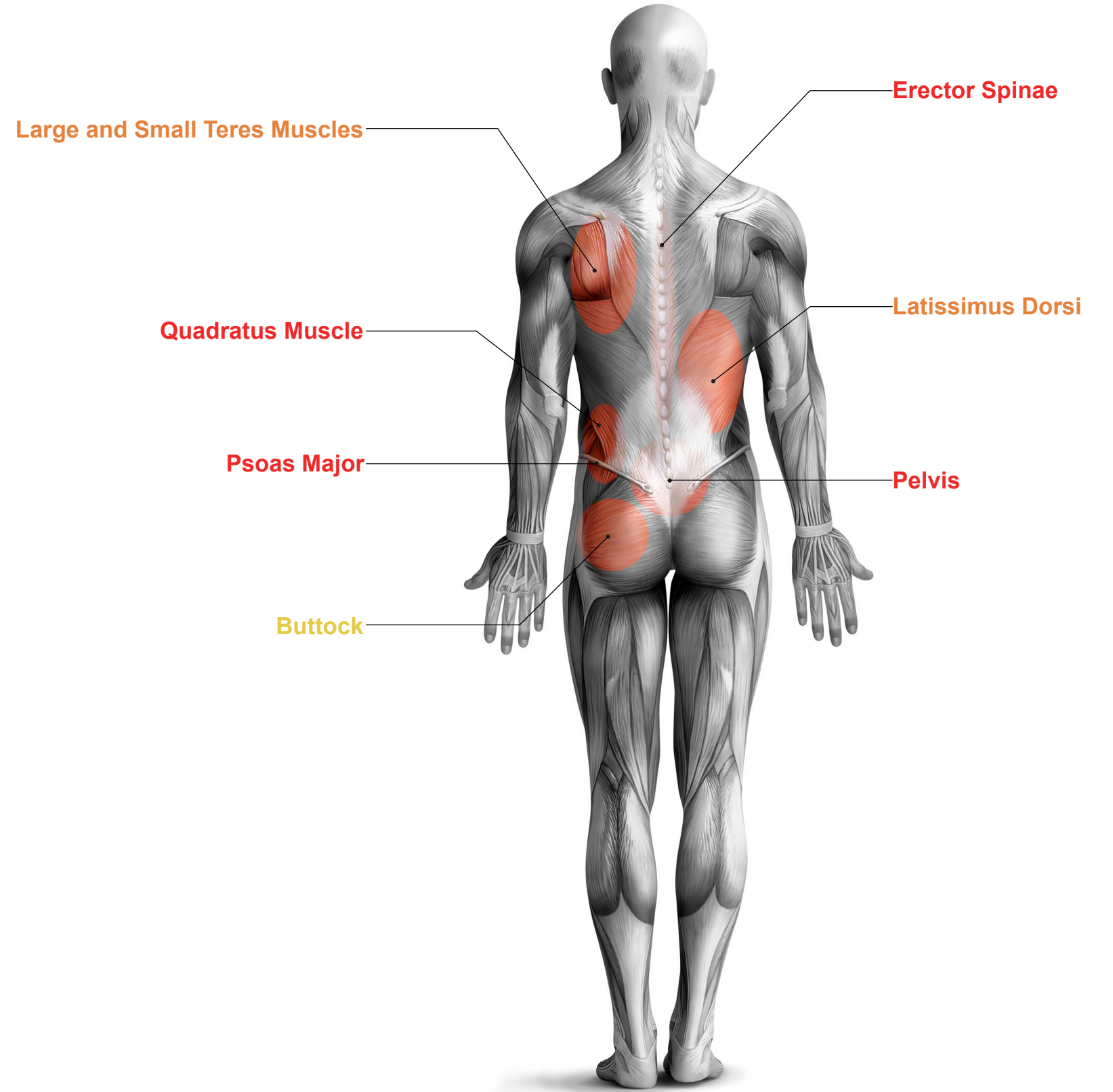
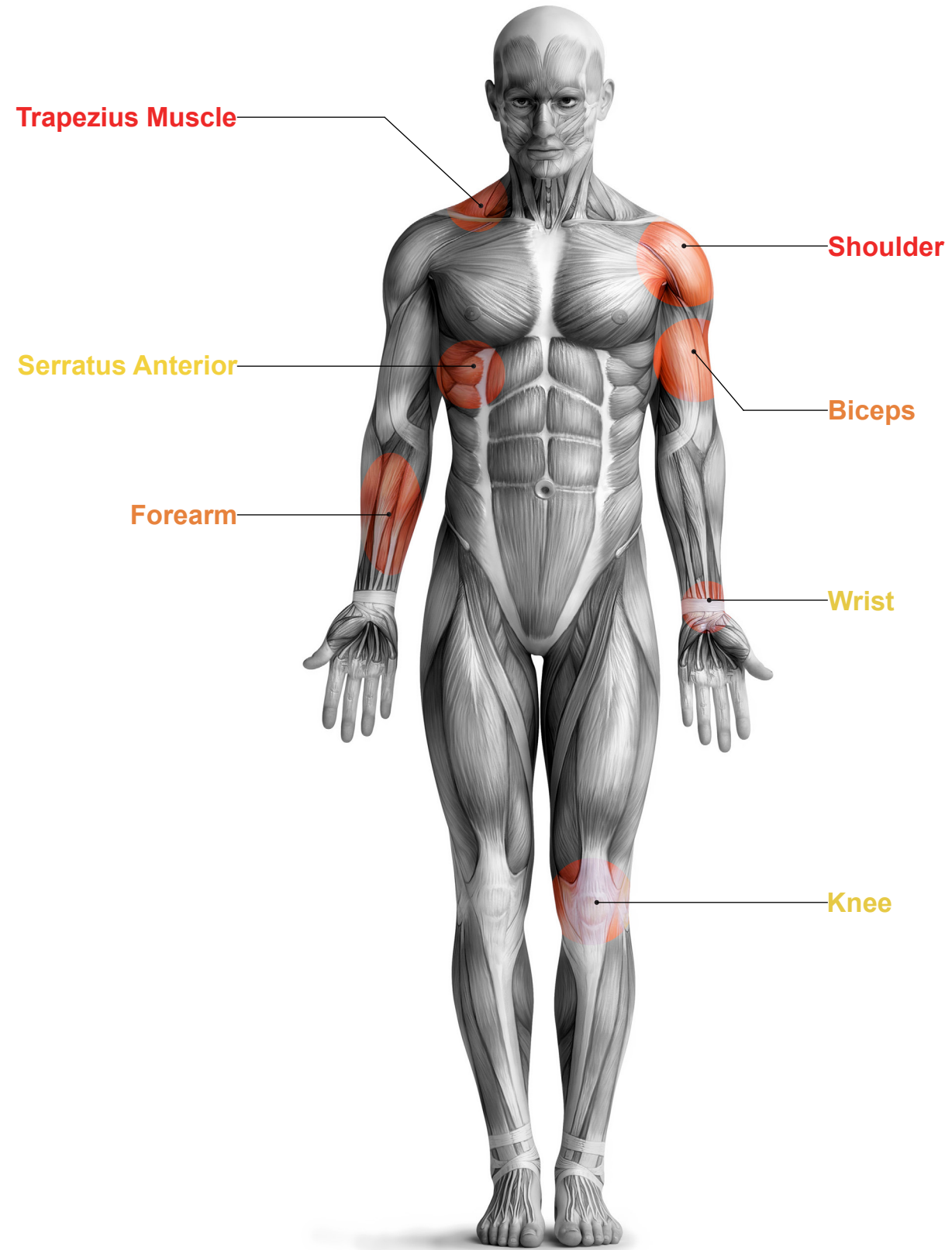


Research

Exploration

Final

INJURY ANALYSIS

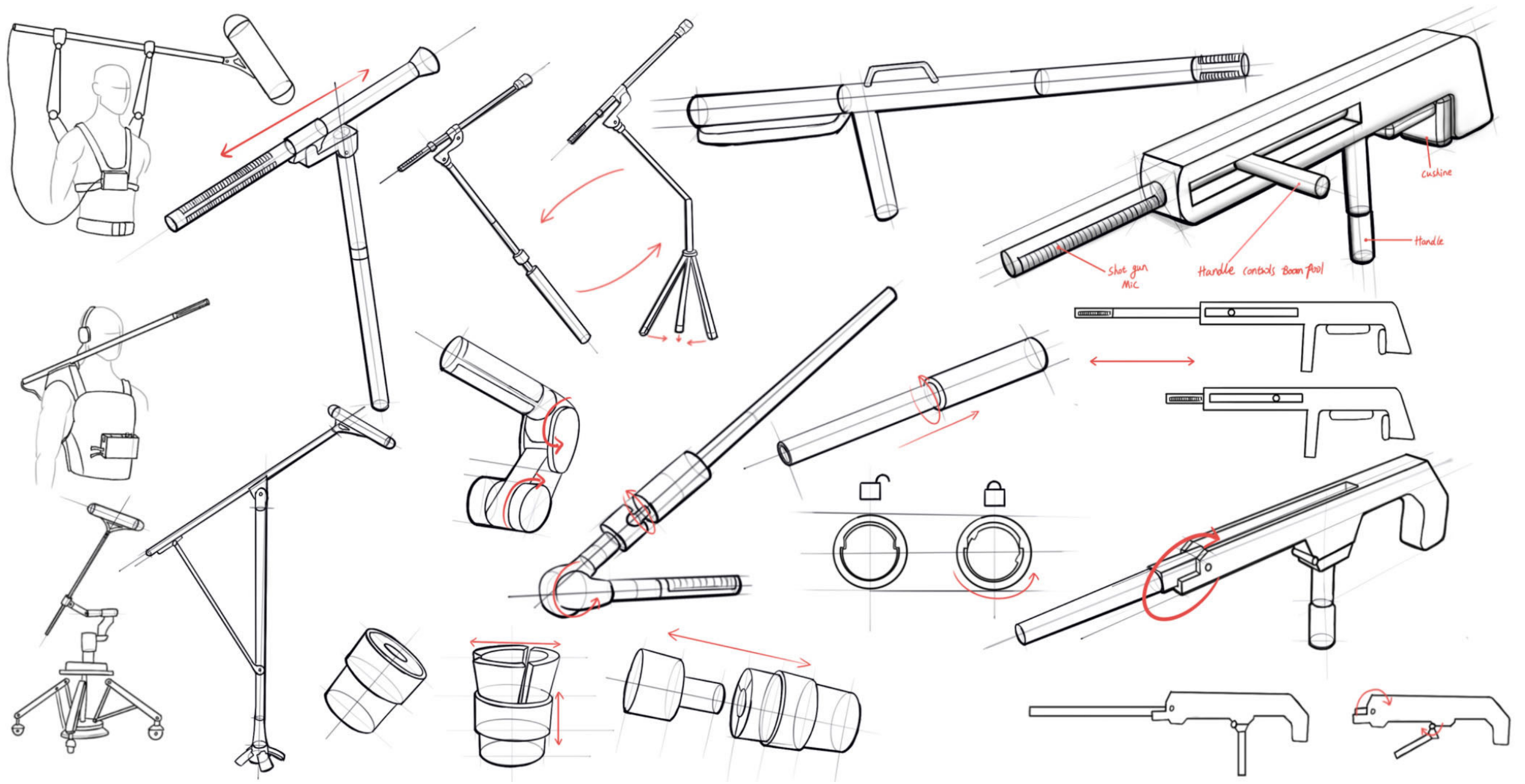


Research

Exploration

Final

IDEATION

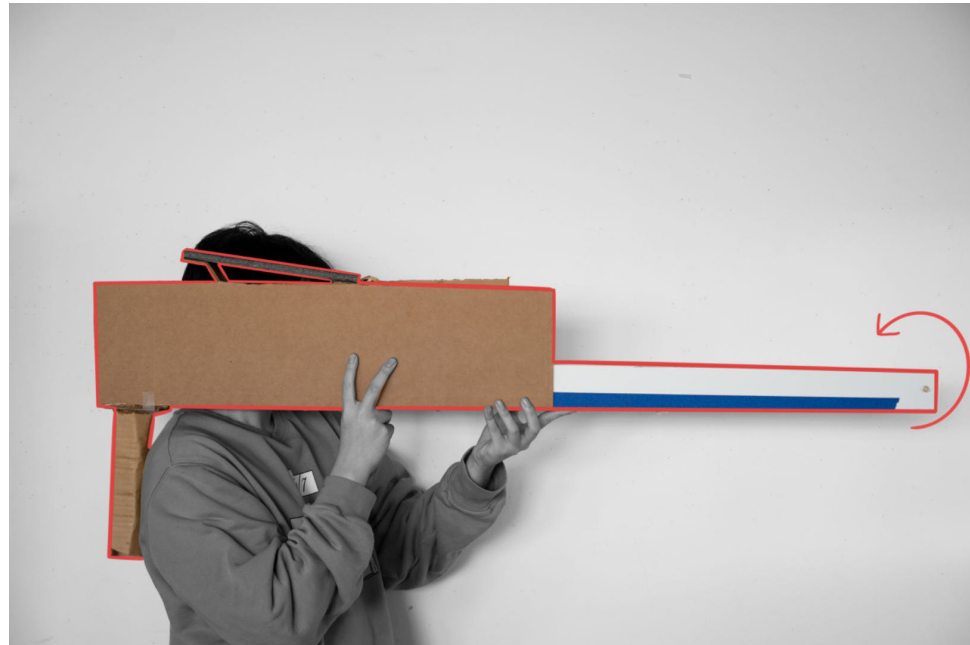


Research

Exploration

Final

SKETCH MODELS



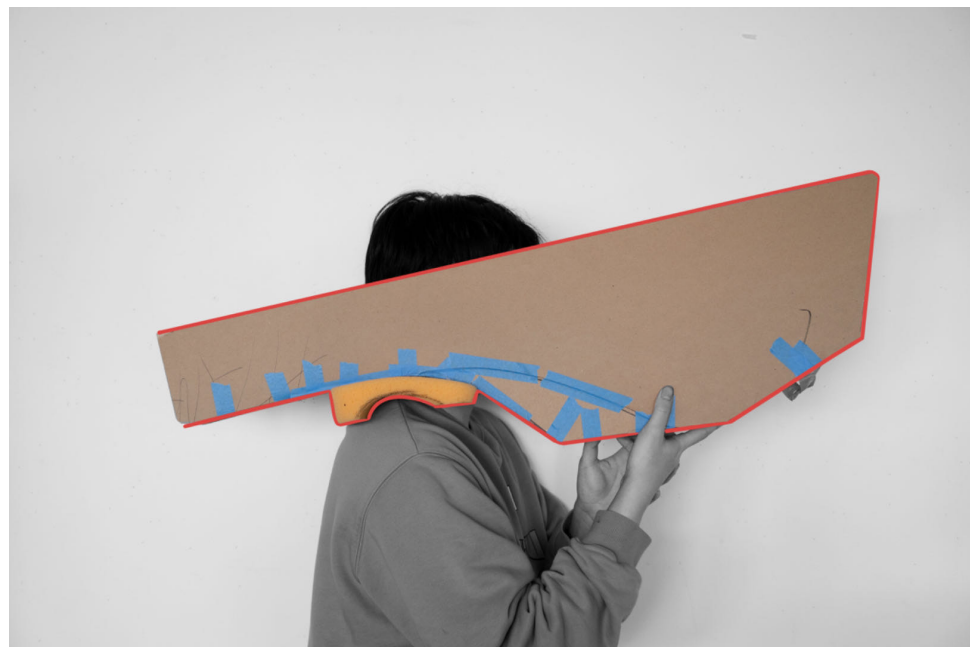
Extend Length by Folding



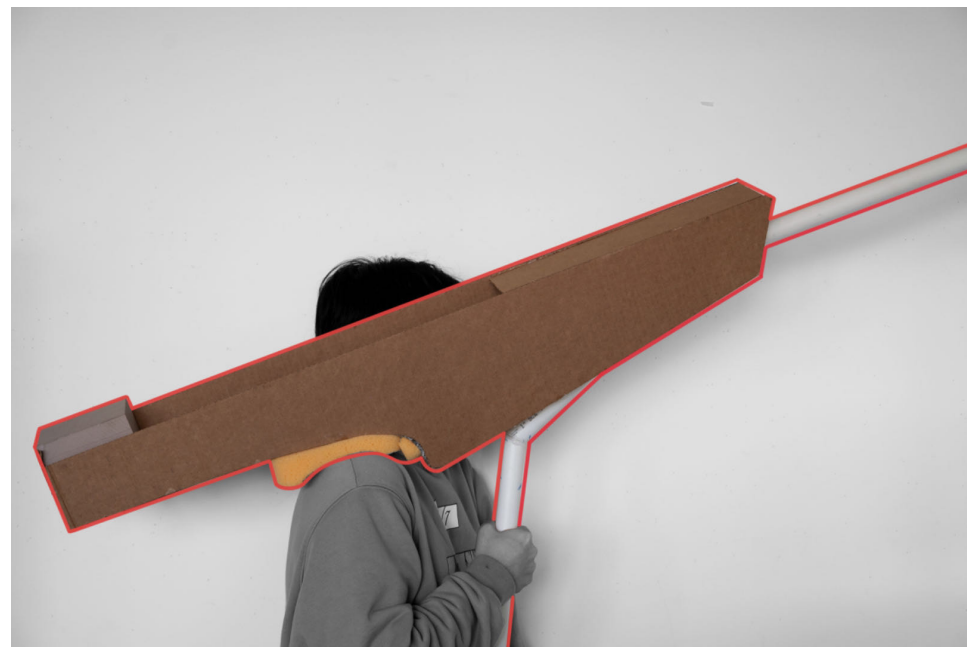
Testing Ergonomic



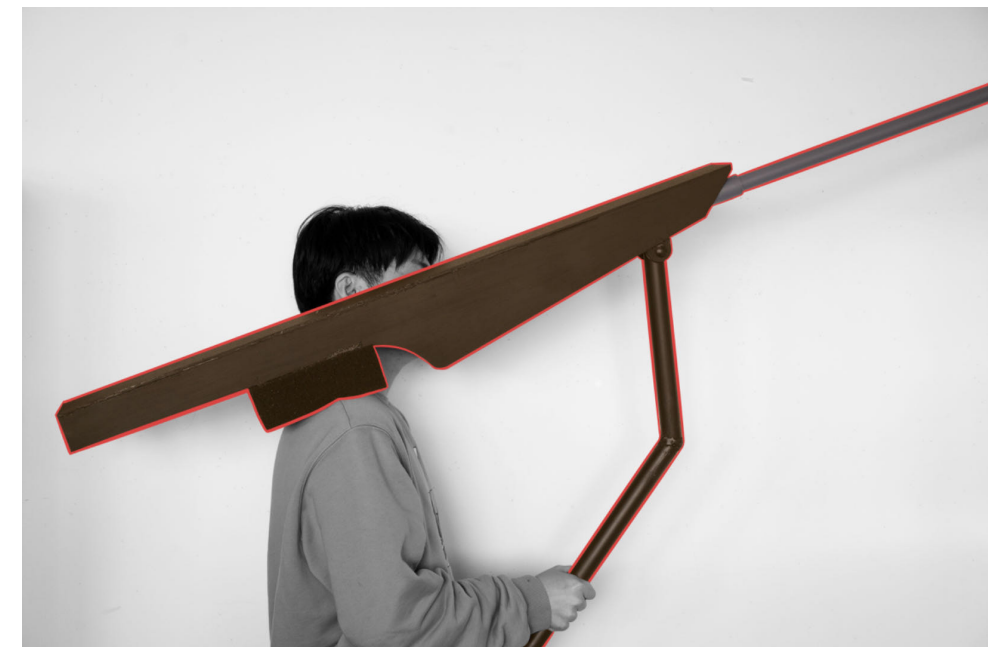
Push Handle to Extend Length



Testing Size



Testing Ergonomic

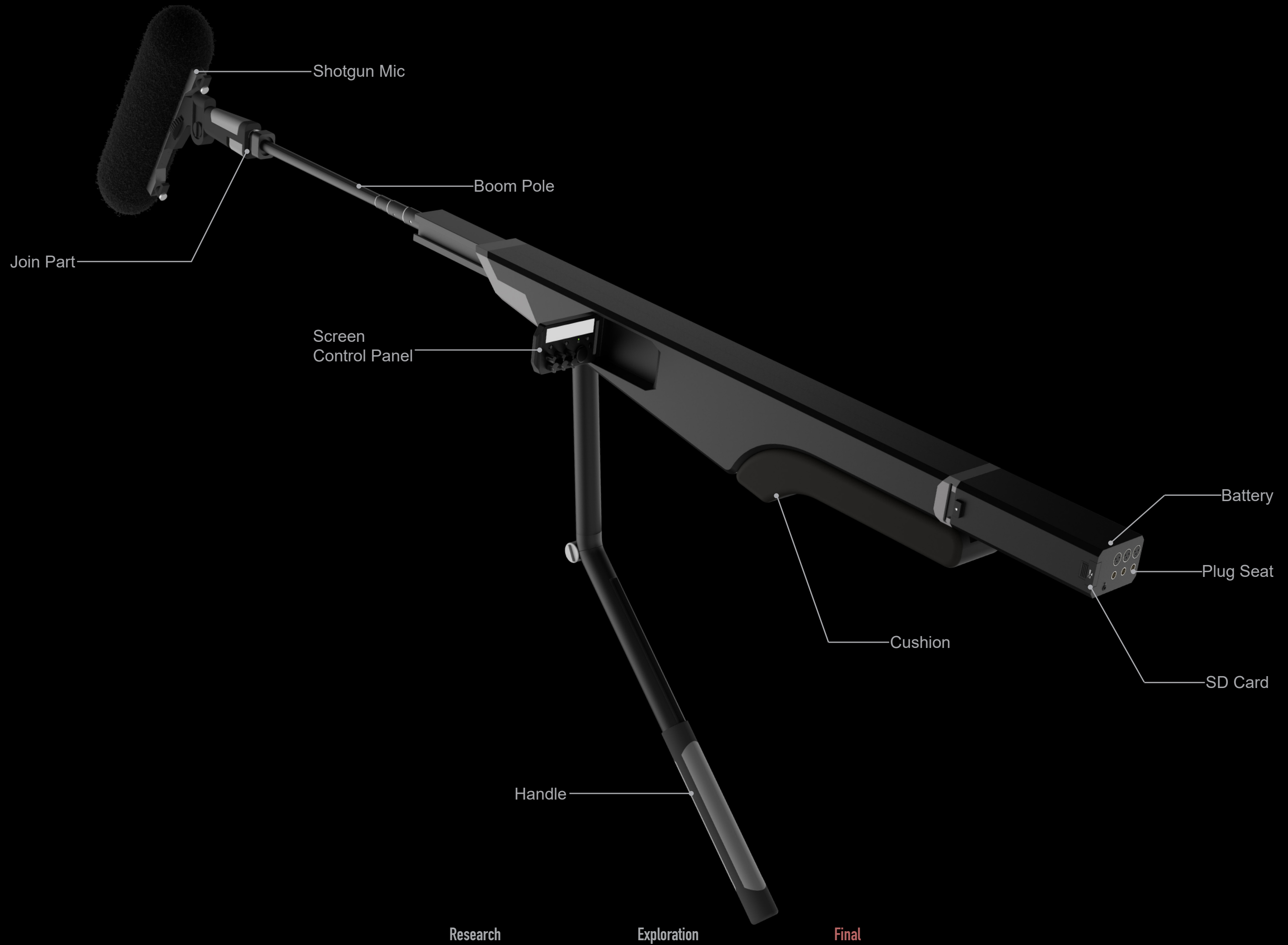


Handle and Narrower Shape

Research

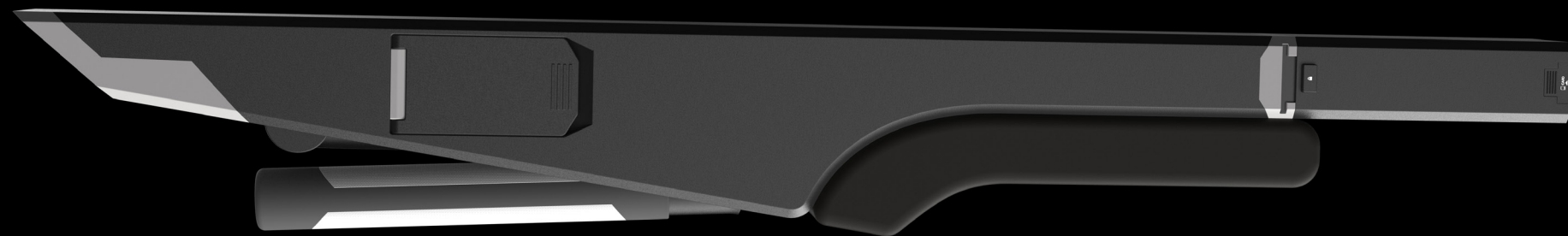
Exploration

Final





Open for Using

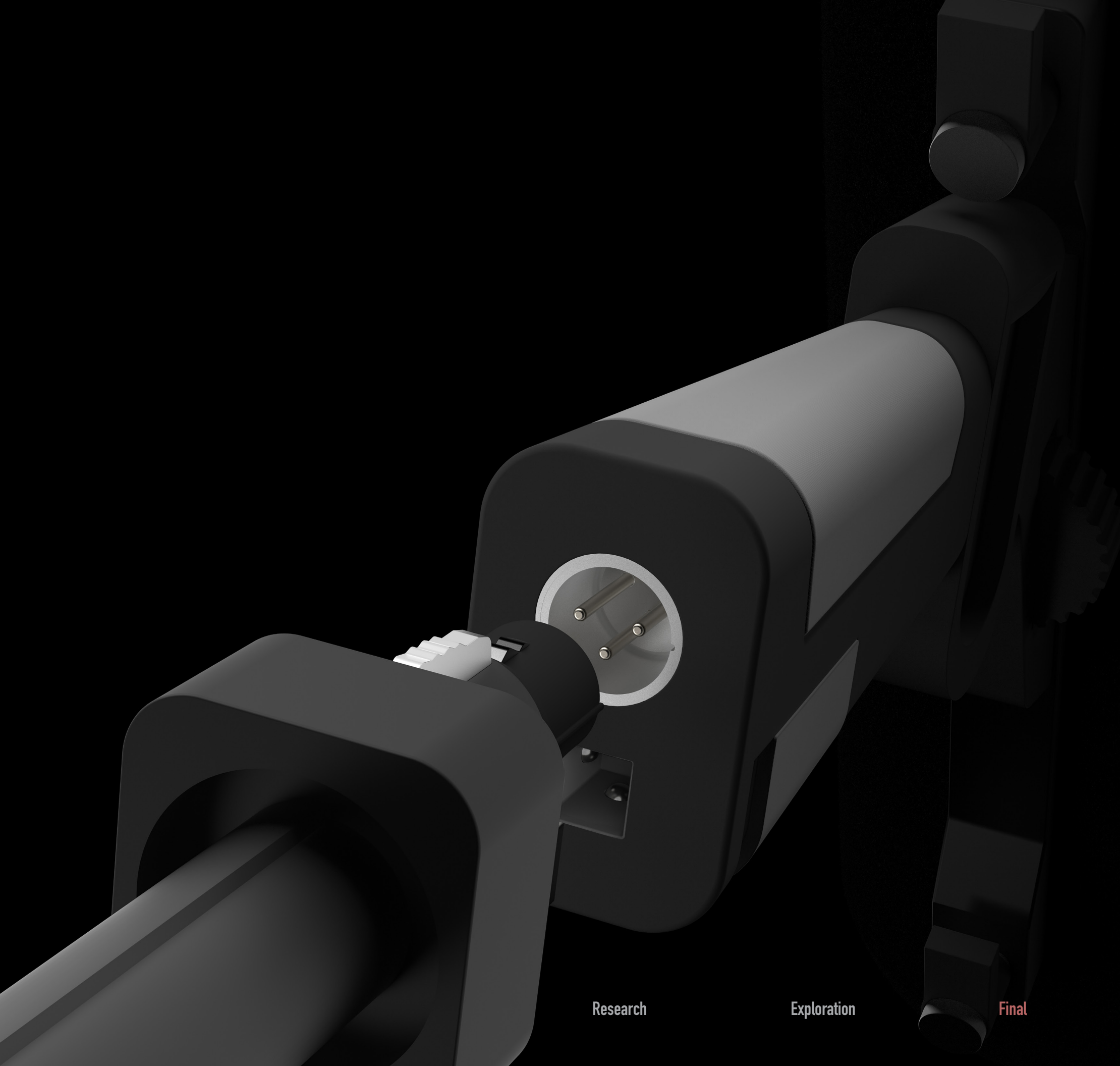


Closed for Storage

Research

Exploration

Final



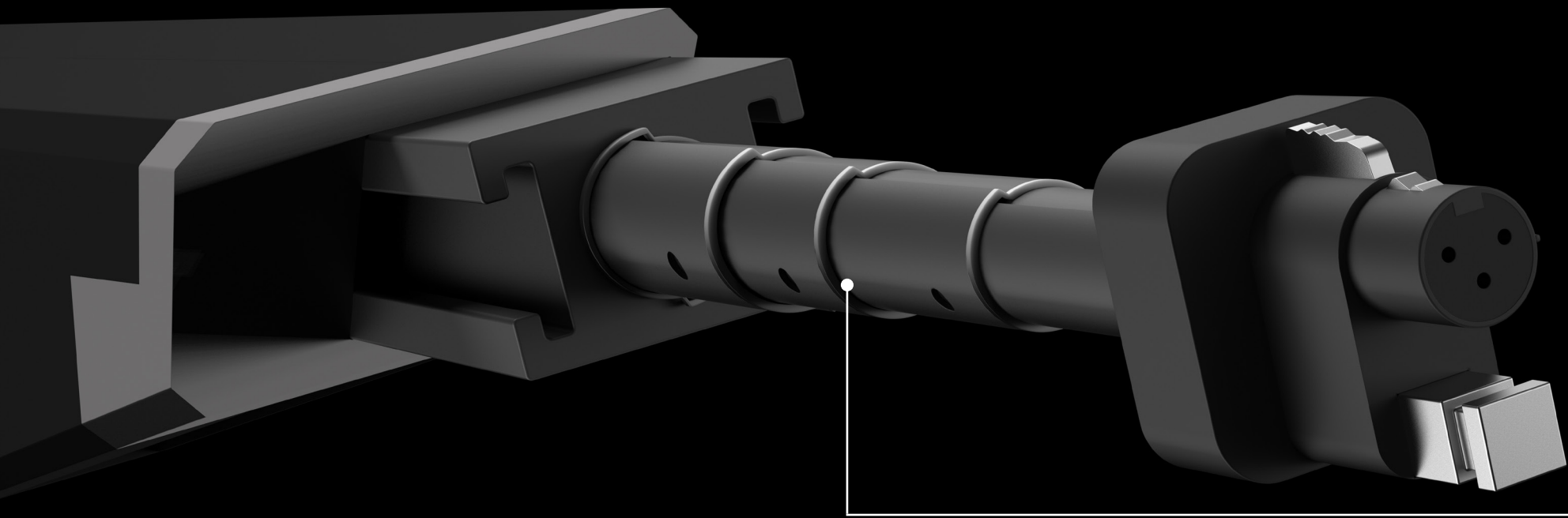
Quick Installation

Research

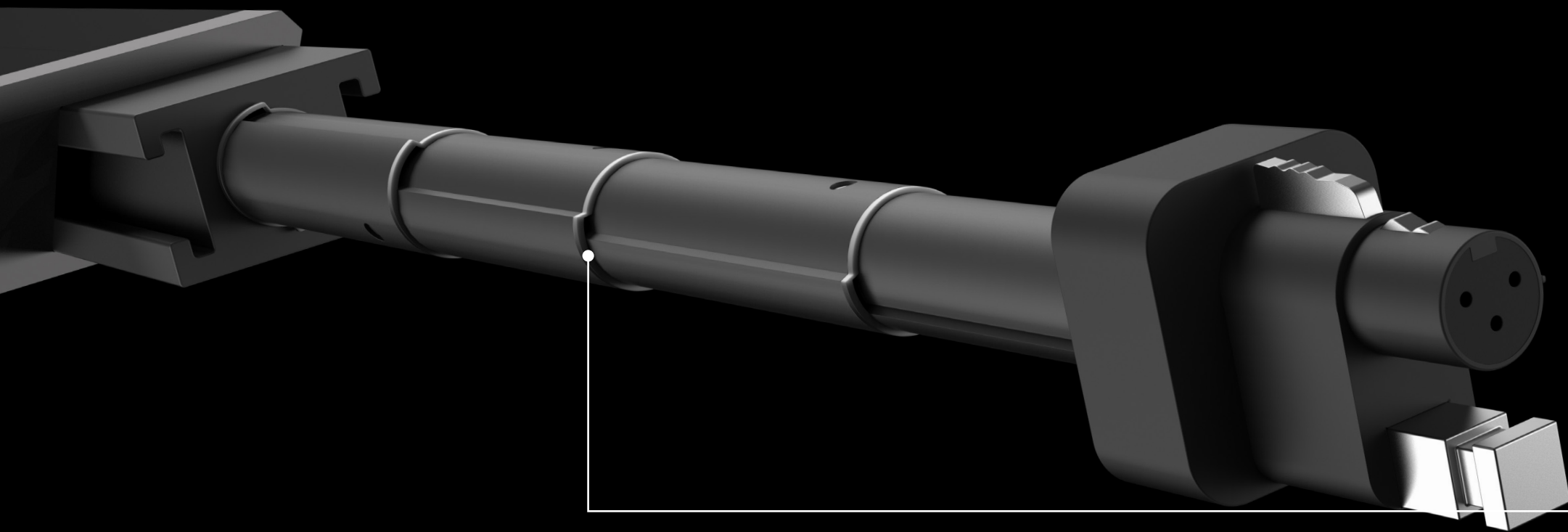
Exploration

Final

Quick Extension and Storage



Unlocked



Locked

Research

Exploration

Final

Display of Sound Recorder



Research

Exploration

Final

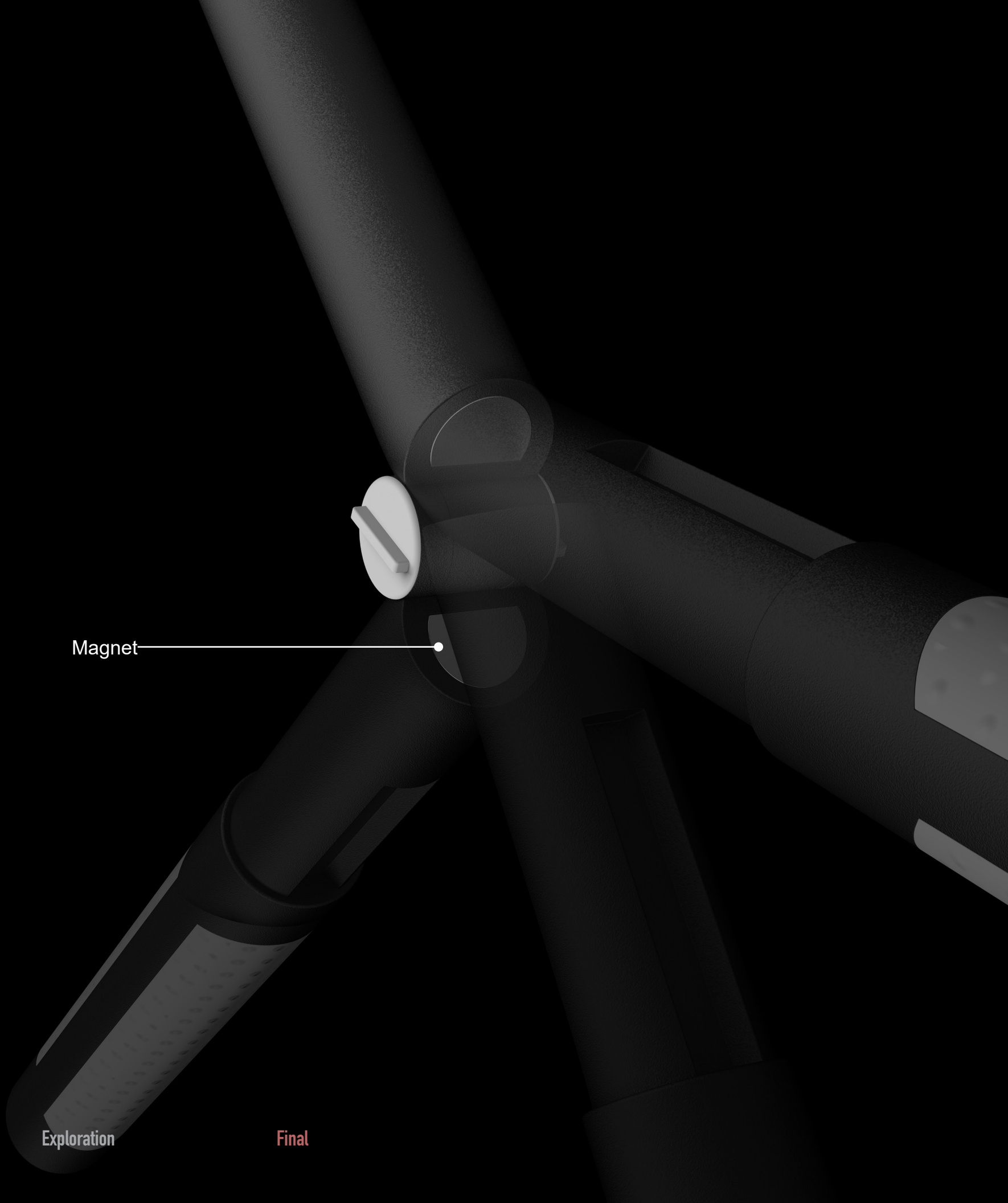
Foldable Handle

Magnet

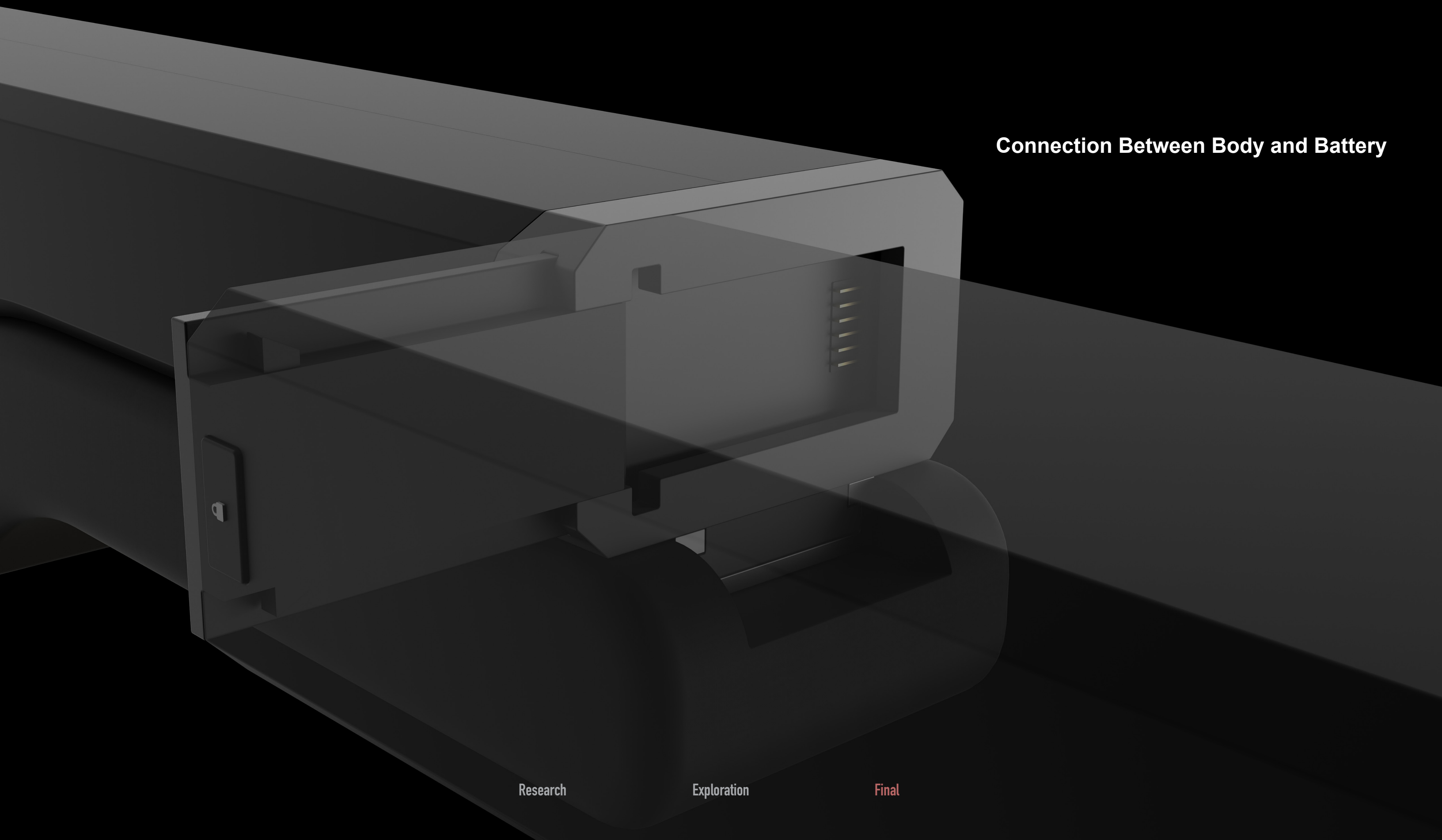
Research

Exploration

Final



Connection Between Body and Battery



Research

Exploration

Final

Details of Socket



Research

Exploration

Final



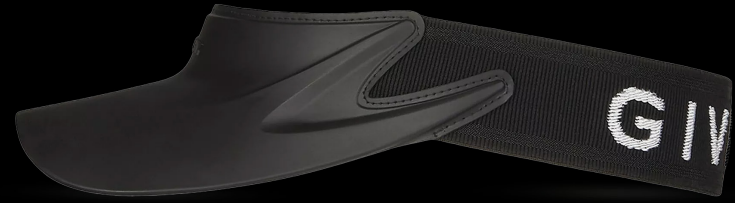
Research

Exploration

Final

GIVENCHY
PARIS





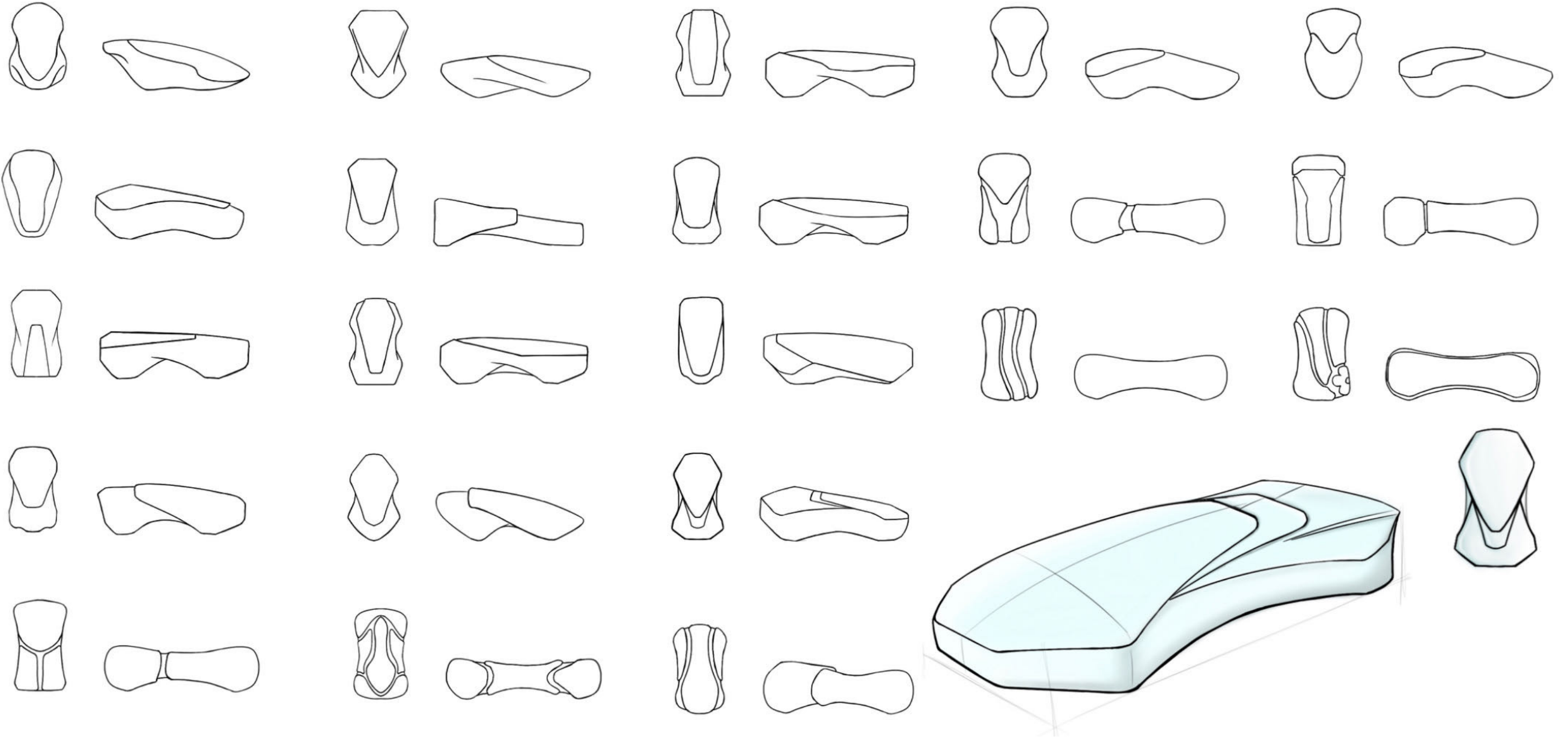
GIVENCHY

Research

Exploration

Final

IDEATION



Research

Exploration

Final

3D MODELS



Research

Exploration

Final



Research

Exploration

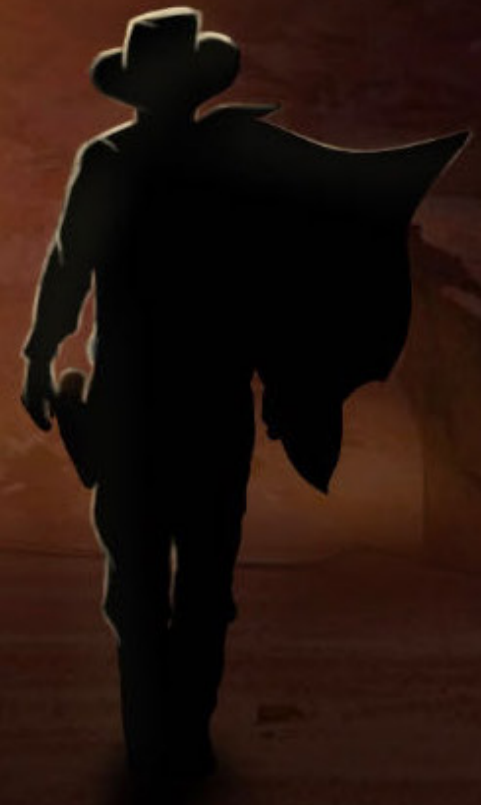
Final

skills





HYPER ~~X~~ WASTELAND





thank you

hankliu2001315@gmail.com